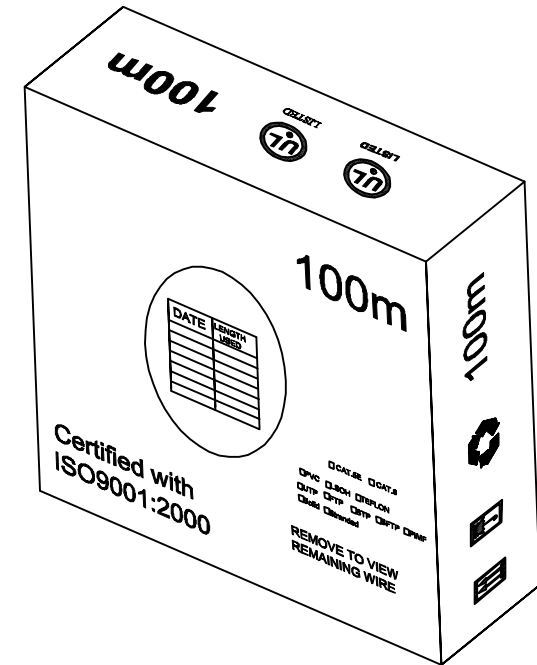
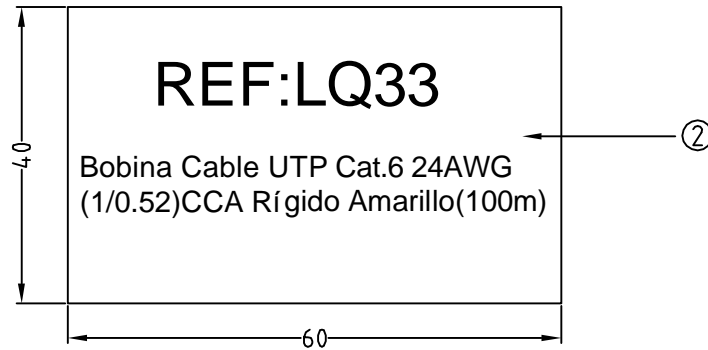
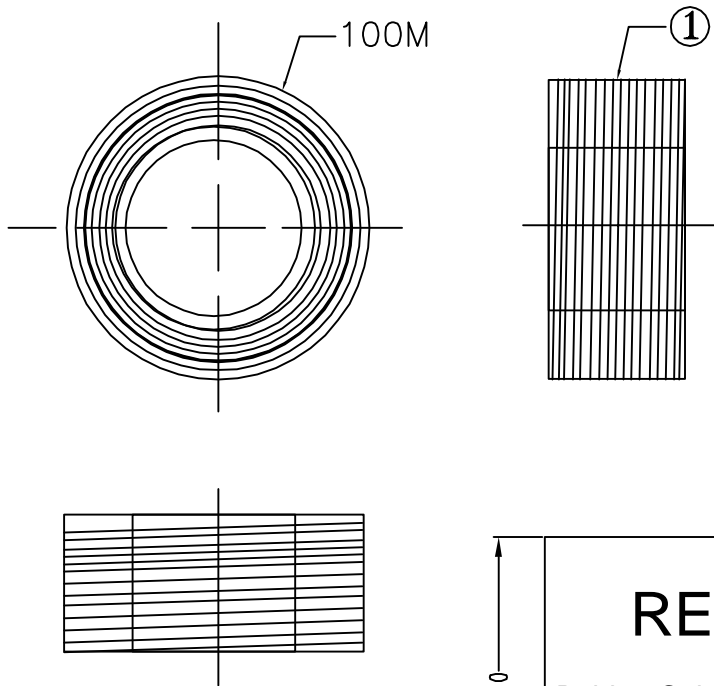


WEIGHT	CUSTOMER NO:	REMARK
M1-2062g	LQ33	Cablematic



CABLE:

1) CAT.6 UTP 24#4P(1/0.52)WITH" +" CCA SOLID TYPE
 OD6.0MM YELLOW(1501) 100M/ROLL PRINT:1M : : 100M RoHS

A		FIRST EDITION	W/L	11/11/25
REV.	ECR	DESCRIPTION	C.N.	DATE
THESE DRAWINGS AND SPECIFICATIONS ARE THE PROPERTY OF WIRETEK COMPUTER LIMITED AND SHALL NOT BE REPRODUCED COPIED OR USED IN ANY MANNER WITHOUT THE PRIOR WRITTEN CONSENT OF WIRETEK COMPUTER LIMITED.		TITLE		
UNLESS OTHERWISE SPECIFIED: DIMENSIONS ARE IN MILLIMETERS ANGULAR TOLERANCE: ±1.0°		UTP CABLE		
DIMENSIONS		TOLERANCE		CHKD.
0.00 TO 30.00mm		±0.10mm		CONF.
30.01 TO 80.00mm		±0.13mm		DR.
80.01 TO 150.00mm		±0.15mm		W.L
150.01mm		±0.20mm		APPD.
MATERIAL		PART NO.		SCALE
FINISH		2615-1295		UNIT
		SHEET 1/1		MM
		SIZE A4		REV. A