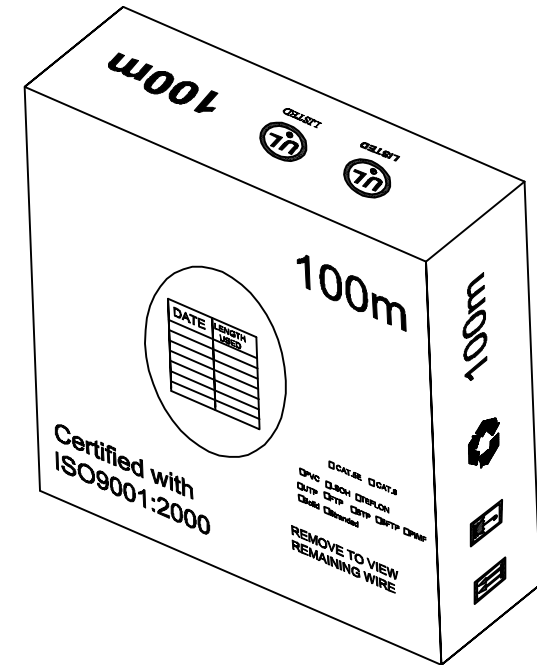
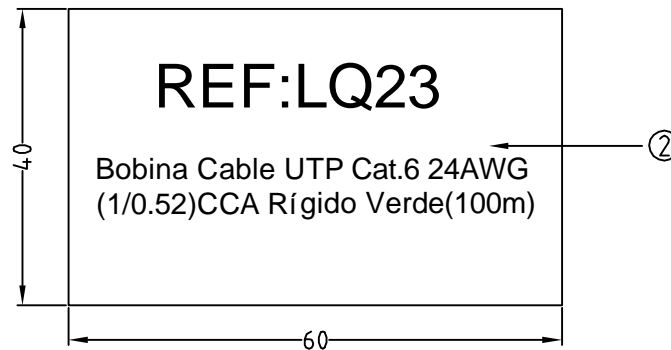
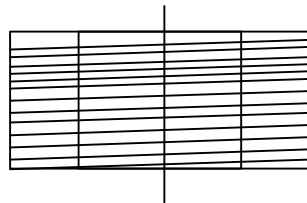
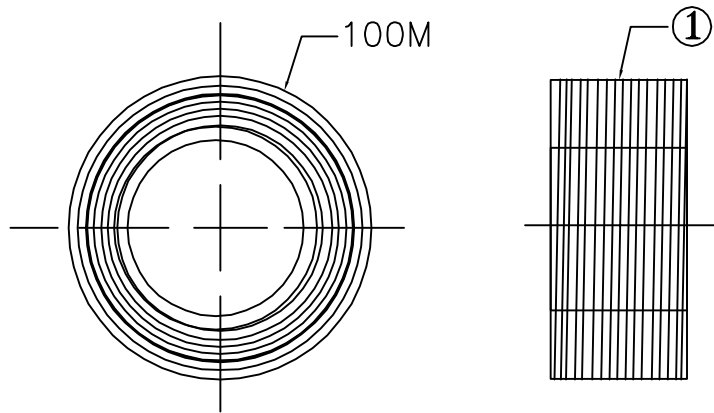


WEIGHT	CUSTOMER NO:	REMARK
M1-2062g	LQ23	Cablematic



CABLE:

1) CAT.6 UTP 24#4P(1/0.52)WITH" +" CCA SOLID TYPE
 OD6.0MM GREEN(1601) 100M/ROLL PRINT:1M : : 100M RoHS

A		FIRST EDITION	W/L	11/11/25
REV.	ECR	DESCRIPTION	C.N.	DATE
THESE DRAWINGS AND SPECIFICATIONS ARE THE PROPERTY OF WIRETEK COMPUTER LIMITED AND SHALL NOT BE REPRODUCED COPIED OR USED IN ANY MANNER WITHOUT THE WRITTEN CONSENT OF WIRETEK COMPUTER LIMITED.		TITLE UTP CABLE		
UNLESS OTHERWISE SPECIFIED: DIMENSIONS ARE IN MILLIMETERS ANGULAR TOLERANCE: ±1.0°				
DIMENSIONS		TOLERANCE	CHKD.	CONF.
0.00 TO 30.00mm		±0.10mm	DR. W.L	APPD.
30.01 TO 80.00mm		±0.13mm		
80.01 TO 150.00mm		±0.15mm		
150.01mm		±0.20mm	PART NO. 2615-1291	
MATERIAL		SCALE	SHEET 1/1	UNIT MM
FINISH		SIZE A4	REV. A	