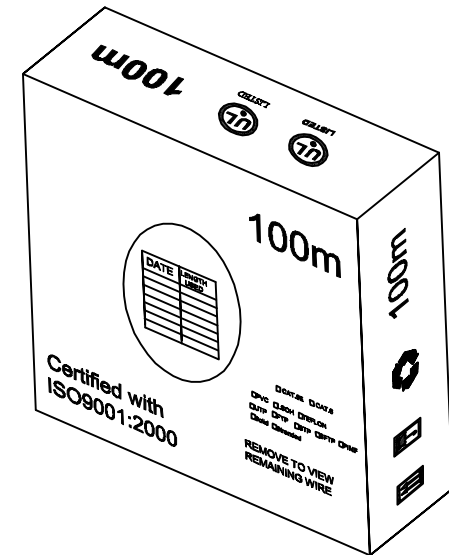
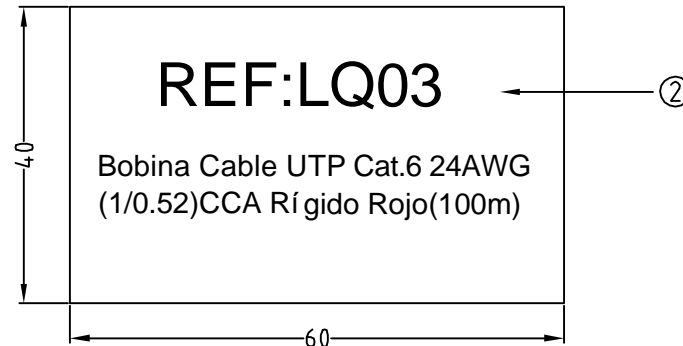
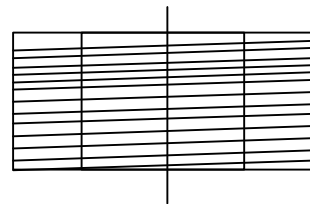
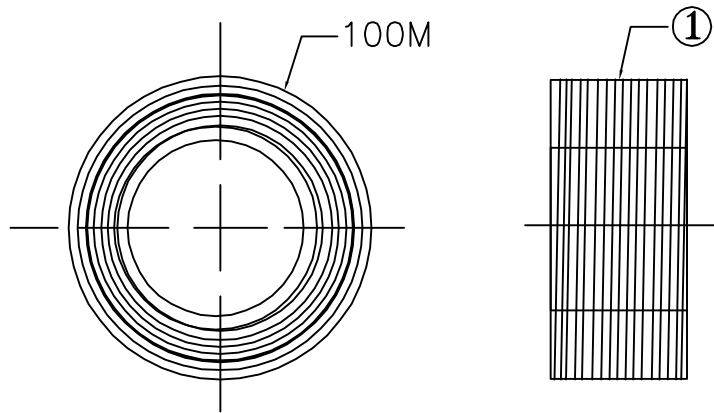


WEIGHT	CUSTOMER NO:	REMARK
M1-2062g	LQ03	Cablematic



**CABLE:**

1) CAT.6 UTP CABLE 24#4P(1/0.52)WITH”+” SOLID TYPE CCA RED (1301) OD:6.0MM 100M/ROLL PRINT:1M : : 100M RoHS

A	FIRST EDITION	W/L	11/11/24
REV. ECR	DESCRIPTION	C.N.	DATE
<small>THESE DRAWINGS AND SPECIFICATIONS ARE THE PROPERTY OF WIRETEK COMPUTER LIMITED AND SHALL NOT BE REPRODUCED COPIED OR USED IN ANY MANNER WITHOUT THE PRIOR WRITTEN CONSENT OF WIRETEK COMPUTER LIMITED.</small>		TITLE	
<small>UNLESS OTHERWISE SPECIFIED: DIMENSIONS ARE IN MILLIMETERS ANGULAR TOLERANCE: ±1.0°</small>		UTP CABLE	
DIMENSIONS	TOLERANCE	CHKD.	CONF.
0.00 TO 30.00mm	±0.10mm		
30.01 TO 80.00mm	±0.13mm	DR. W/L	APPD.
80.01 TO 150.00mm	±0.15mm		
150.01mm	±0.20mm	PART NO.	2615-1283
MATERIAL		SCALE	SHEET 1/1 UNIT MM SIZE A4 REV. A
FINISH			